

POWERFLEX®

PART NUMBER

PFF5-1401

DESCRIPTION

FRONT RADIUS ARM TO CHASSIS BUSH

INSTALLATION GUIDE

Contents (parts per pack):

2 x Polyurethane Bushes 1 x PTFE/Silicone Grease
2 x Stainless Steel Sleeves 4 x Outer Shell

Please read the complete fitting instructions and check package components before fitment. These fitting instructions are to be used as a guide and in conjunction with workshop manual.

It is recommended that:

- all work to be carried out by a licensed technician;
- all safety precautions adhered to;
- wheel alignment to be checked and adjusted as required after any suspension work.
- All fasteners must be tensioned to manufacturer's torque settings.

Fitting Instructions:

1. Remove the original rubber bush from the arm, clean any dirt and corrosion from the bore in the arm. Using a file remove any sharp edges from around the bore of the arm creating a small chamfer.
2. Press the outer shells into the bore of the arm, ensuring that the lip of the shell sits flush to the arm.
3. Press the 5-1401 Bush into the bore of the arm. If you experience difficulty with this, apply some lubricant to the bush in order to aid its entry.
4. Apply some of the supplied grease to the bore of the bush and insert the stainless steel sleeve into the bush.
5. Re-fit the arm to the car and tighten all hardware to manufacturers recommended torque settings.



Figure 2

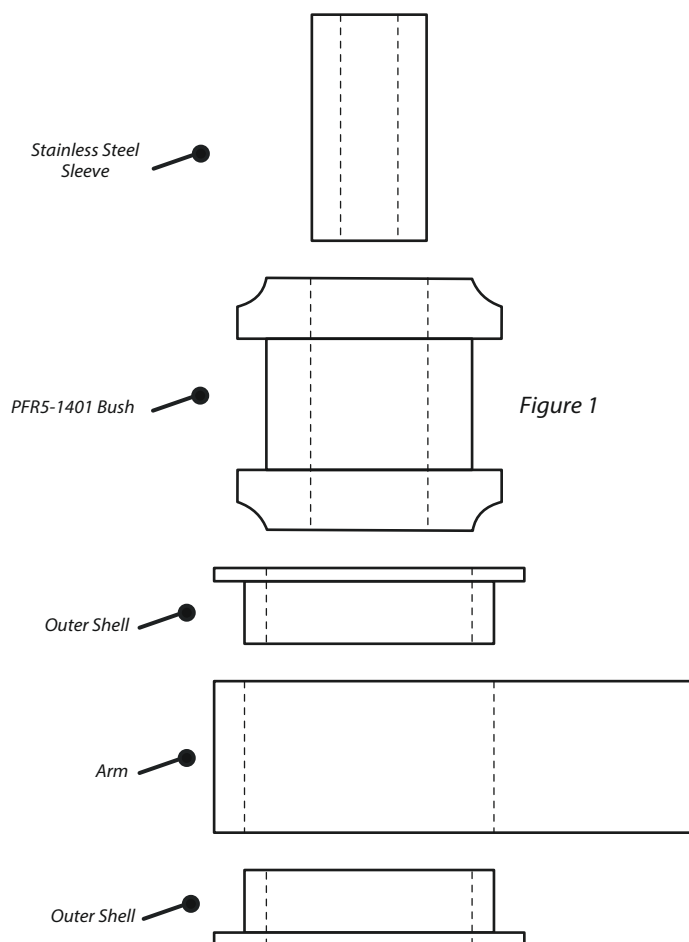


Figure 1